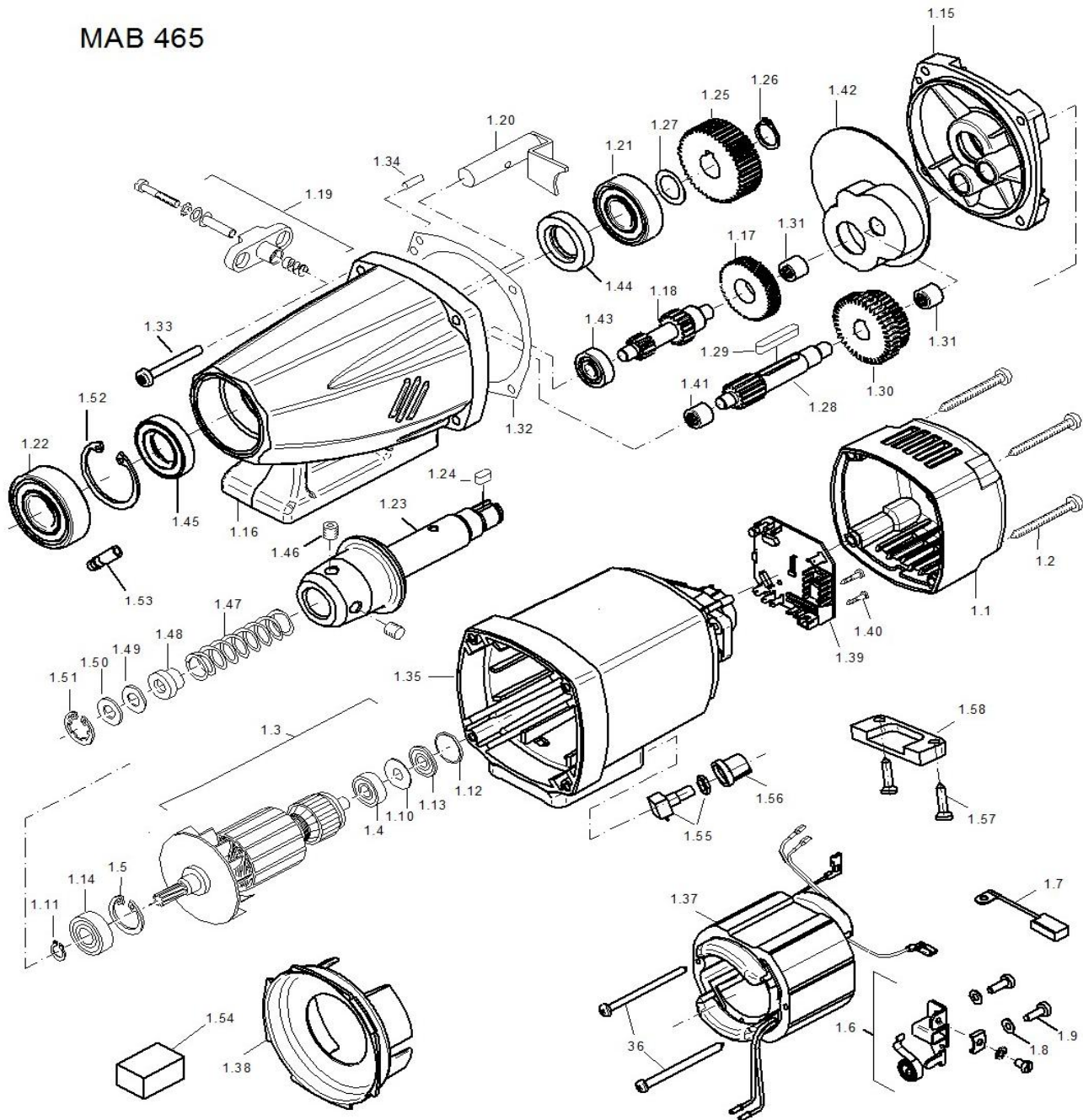


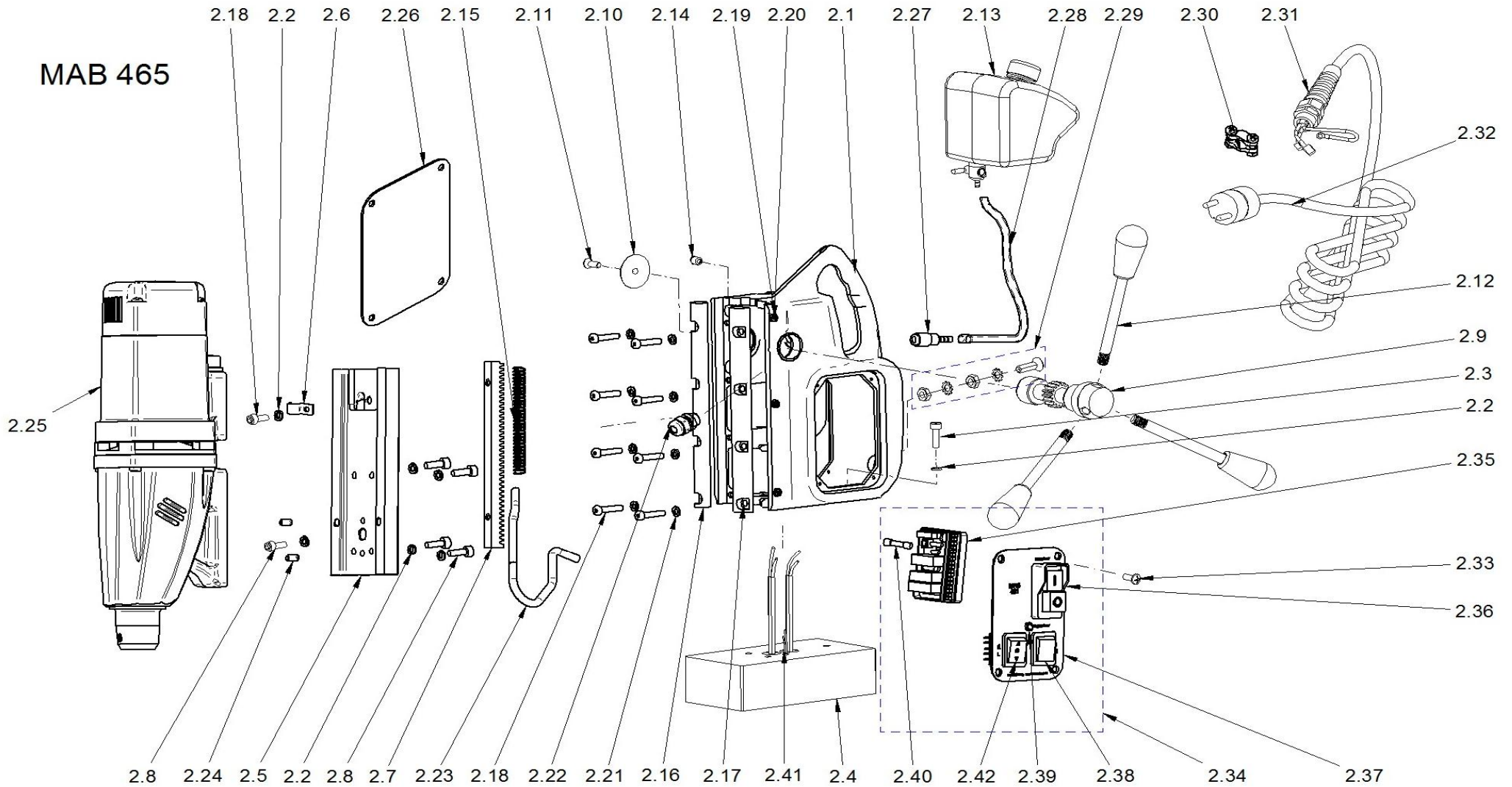
MAB 465



| Pos. No. | Article no. | Description | pc. |
|----------|-------------|---------------------------------------|-----|
| 1.1 | 5010691 | Cap for motor housing | 1 |
| 1.2 | 5010581 | Screw HC 4,8x45 DIN 7981 | 4 |
| 1.3.1 | 5010811 | Armature 110V | 1 |
| 1.3.2 | 5010801 | Armature 230V | 1 |
| 1.4 | 5010061 | Ball bearing 608 2Z | 1 |
| 1.5 | 5010271 | Circlip ring 28/1,2 DIN 472 | 1 |
| 1.6 | 5010561 | Carbon brush holder | 2 |
| 1.7.1 | 5010571 | Carbon brush 6,3x10x18 | 2 |
| 1.7.2 | 5010572 | Carbon brush 6,3x10x18 L85F13 | 2 |
| 1.8 | 5013981 | Corrugated spring washer B4 DIN 137 | 4 |
| 1.9 | 5013991 | Self tapping screw CM4 x 12 | 4 |
| 1.10 | 5014731 | Pressboard washer | 1 |
| 1.11 | 5010711 | Circlip ring 11/1 DIN 471 | 1 |
| 1.12 | 5010591 | O-Ring 22x2,5 | 1 |
| 1.13 | 5010781 | Ring magnet | 1 |
| 1.14 | 5012501 | Ball bearing 6001 2RS | 1 |
| 1.15 | 5010731 | Gearbox bearing plate | 1 |
| 1.16 | 5015261 | Gear box housing | 1 |
| 1.17 | 5010541 | Intermedium wheel 34 teeth | 1 |
| 1.18 | 5010421 | Shaft with 2 pinions 19/11 teeth | 1 |
| 1.19 | 5010521 | Gear change complete | 1 |
| 1.20 | 5010761 | Clutch complete | 1 |
| 1.21 | 5010611 | Ball bearing 6203 2RS | 1 |
| 1.22 | 5015291 | Ball bearing 6204 2RS | 1 |
| 1.23 | 5015271 | Spindle | 1 |
| 1.24 | 5010751 | Spring A5x5x12 DIN 6885 | 1 |
| 1.25 | 5010621 | Spindle wheel 45 teeth | 1 |
| 1.26 | 5010721 | Circlip ring 15/1 DIN 471 | 1 |
| 1.27 | 5010531 | Washer 15x22x0,2 DIN 988 | 1 |
| 1.28 | 5010411 | Shaft for gear wheel 13 teeth | 1 |
| 1.29 | 5010501 | Spring A5x5x28 DIN 6885 | 1 |
| 1.30 | 5010632 | Gear wheel block 34/40 teeth | 1 |
| 1.31 | 5010351 | Needle bearing HK 0810 | 2 |
| 1.32 | 5015111 | Gear box gasket | 1 |
| 1.33 | 5015231 | PT-Screw 50x40 | 4 |
| 1.34 | 5010291 | Pin M4x12 DIN 1474 | 1 |
| 1.35 | 5010701 | Motor housing complete | 1 |
| 1.36 | 5010031 | Screw HC 3,9x60 DIN 7981 | 2 |
| 1.37.1 | 5013501 | Field coil 110V | 1 |
| 1.37.2 | 5010821 | Field coil 230V | 1 |
| 1.38 | 5010641 | Air conducting ring | 1 |
| 1.39.1 | 5010851 | Motor board 110V | 1 |
| 1.39.2 | 5010842 | Motor board 230V | 1 |
| 1.40 | 5012771 | Screw HC 2,9x13 DIN 7981 | 2 |
| 1.41 | 5014591 | Needle bearing DL 0810 | 1 |
| 1.42 | 5010771 | Shaft seal for grease chamber | 1 |
| 1.43 | 5010071 | Ball bearing 608 2RS | 1 |
| 1.44 | 5013461 | Shaft seal 20x35x7 | 1 |
| 1.45 | 5015281 | Shaft seal 20x37x8 | 1 |
| 1.46 | 6010181 | Hexagon socket set screw M8x8 DIN 913 | 2 |
| 1.47 | 5014681 | Pressure spring | 1 |
| 1.48 | 5014691 | Spring bracket | 1 |

| Pos. No. | Article no. | Description | pc. |
|-----------------|--------------------|---|------------|
| 1.49 | 5014701 | Rubber ring 19x11x1,5 | 1 |
| 1.50 | 5014711 | Disc | 1 |
| 1.51 | 6010161 | Circlip ring JK19/1 | 1 |
| 1.52 | 5015321 | Circlip ring 37/1,5 DIN 472 | 1 |
| 1.53 | ZSS 200N | Brass nipple for quick change coupling | 1 |
| 1.54 | 5014341 | Filler 30x20x15 | 1 |
| 1.55 | 5011401 | Potentiometer for speed control 100 kOhm 2V | 1 |
| 1.56 | 7010381 | Adjustment wheel for potentiometer | 1 |
| 1.57 | 5014981 | Screw 4,8x25 ISO 14586 | 2 |
| 1.58 | 7014231 | Cover for cable gland | 1 |

MAB 465



| Pos. No. | Article no. | Description | pc. |
|----------|-------------|--|-----|
| 2.1 | 6012093 | Housing for screwed guide rails (both sides) | 1 |
| 2.2 | 6010021 | Spring washer 6,1 DIN 7980 | 9 |
| 2.3 | 6010111 | Hexagon socket head cap screw M6x25 DIN 912 | 3 |
| 2.4 | 6010054 | Magnet (electric) with indicator | 1 |
| 2.5 | 7010261 | Dovetail carriage | 1 |
| 2.6 | 4010251 | Bracket for cable guiding | 1 |
| 2.7 | 6010081 | Rack | 1 |
| 2.8 | 6010011 | Hexagon socket cylinder head screw M6x16 DIN 912 | 5 |
| 2.9 | 6010211 | Shaft for gear wheel | 1 |
| 2.10 | 6010221 | Washer for gear wheel 10,5x35x1,5 | 1 |
| 2.11 | 6010231 | Screw M6x16 ISO 10642 08.8 | 1 |
| 2.12 | 6010242 | Handle rod with knob | 3 |
| 2.13 | 6012111 | Coolant reservoir with tap | 1 |
| 2.14 | 4000121 | Pressure piece | 1 |
| 2.15 | 6012181 | Spring for motor cable | 1 |
| 2.16 | 6012251 | Guide rail (brass) left, to be screwed | 1 |
| 2.17 | 6012261 | Guide rail (brass) right, to be screwed, 4 holes | 1 |
| 2.18 | 7012171 | Hexagon socket cylinder head screw M6x20 DIN 7984 | 9 |
| 2.19 | 6010031 | Nut M5 DIN 934 | 3 |
| 2.20 | 6010041 | Adjusting screw M5x16 DIN 913 | 3 |
| 2.21 | 6050151 | Washer 6,4x11x1,6 DIN 433 | 8 |
| 2.22 | 6012131 | Cable gland PG9 | 1 |
| 2.23 | 6012191 | Motor cable 670mm | 1 |
| 2.24 | 4000101 | Cylinder pin, hardened 6m6x10 DIN 6325 | 2 |
| 2.25.1 | 5104651 | Motor complete 110V without housing for potentiometer compelte 100Kohm | 1 |
| 2.25.2 | 5004651 | Motor complete 230V without housing for potentiometer compelte 100Kohm | 1 |
| 2.26 | 7011831 | Cover of housing, back side | 1 |
| 2.27 | ZSS 200K | Quick change coupling | 1 |
| 2.28 | ZSS 200S | Coolant tube blue, short 260mm | 1 |
| 2.29 | 7010061 | Earthing complete | 1 |
| 2.30 | 4010291 | Cord grip for connection cable | 1 |
| 2.31 | 7010031 | Mains cable gland PG 11 | 1 |
| 2.32.1.1 | 7010052 | Connection cable 110 V with GB-plug | 1 |
| 2.32.2.1 | 7010242 | Connection cable 110V with US-plug | 1 |
| 2.32.1.2 | 7010042 | Connection cable 230V complete with plug | 1 |
| 2.33 | 7010081 | Screw M4x6 DIN 966 | 4 |
| 2.34.1 | 7012691 | Switch plate complete with PC board 3 Relais 110V | 1 |
| 2.34.2 | 7012701 | Switch plate complete with PC board 3 Relais 230V | 1 |
| 2.35.1 | 6012161 | Control board with 3 relais 110V | 1 |
| 2.35.2 | 6012152 | Control board with 3 relais 230 V | 1 |
| 2.36.1 | 7010931 | Actuator 110 V | 1 |
| 2.36.2 | 7010801 | Actuator 230V | 1 |
| 2.37 | 7011061 | Switch plate front side | 1 |
| 2.38 | 7010142 | Magnet switch, 4 connection terminals | 1 |
| 2.39 | 7010101 | LED display for indicator red/green incl. cable and frame | 1 |
| 2.40 | 7010131 | Fuse 2A, 5x20 | 1 |
| 2.41 | 6012171 | Indicator with cable | 1 |
| 2.42 | 7010482 | Rocker switch right/left | 1 |