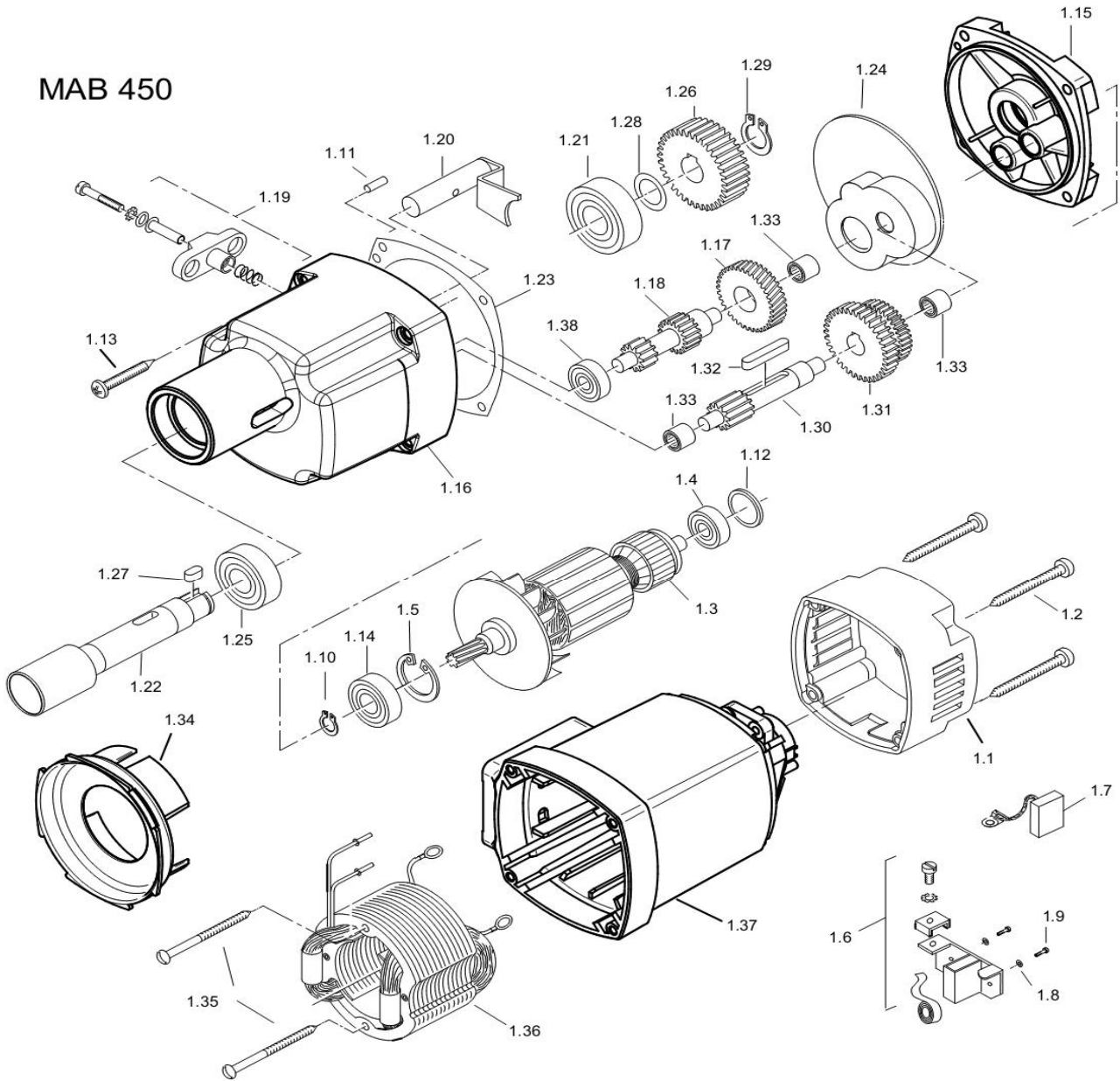
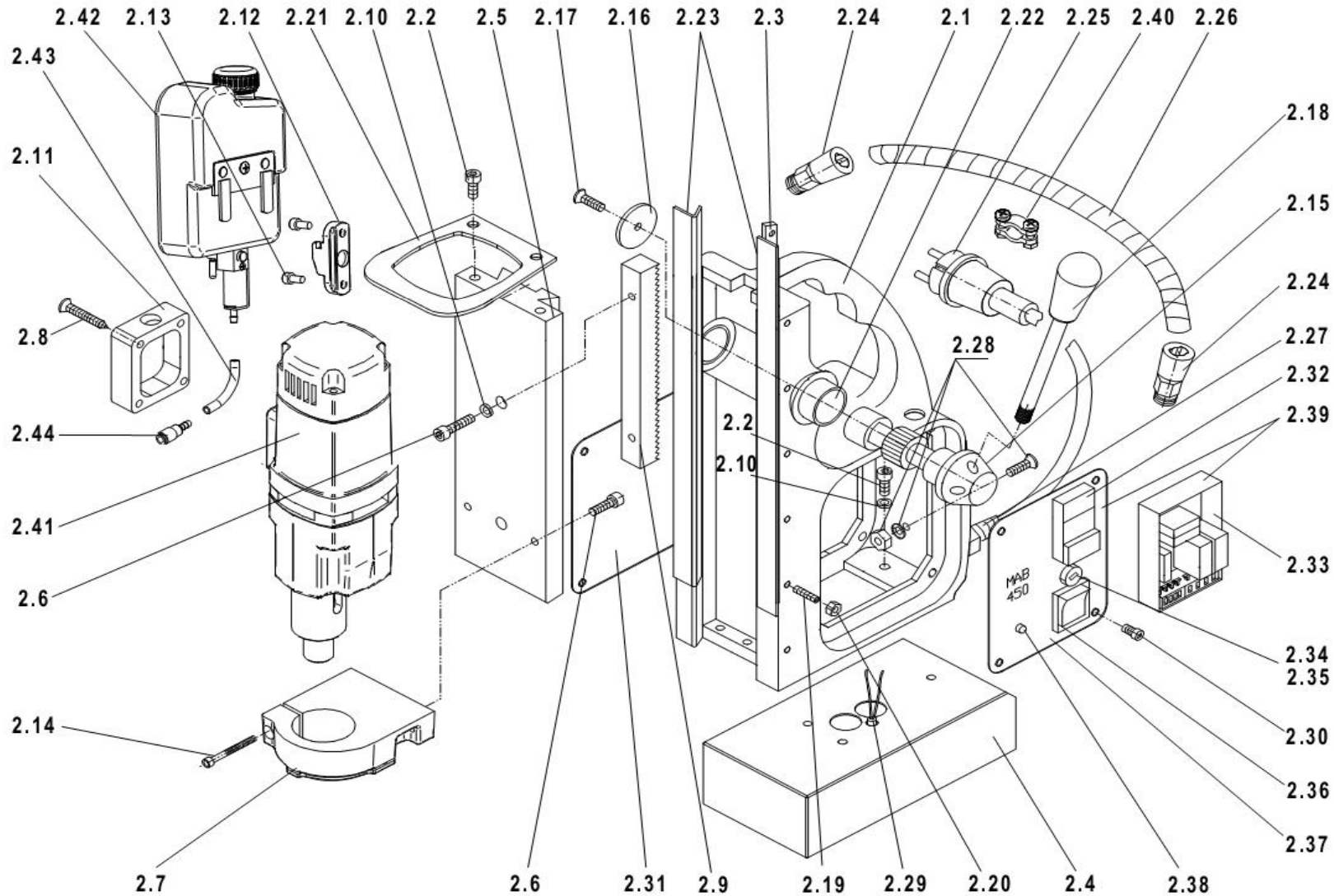


MAB 450



Pos. No.	Article no.	Description	pc.
1.1	5010691	Cap for motor housing	1
1.2	5010581	Screw HC 4,8x45 DIN 7981	4
1.3.1	5010661	Armature 110 V	1
1.3.2	5010651	Armature 230 V	1
1.4	5010061	Ball bearing 608 2Z	1
1.5	5010271	Circlip ring 28/1,2 DIN 472	1
1.6	5010561	Carbon brush holder	2
1.7	5010571	Carbon brush 6,3x10x18	2
1.8	5013981	Corrugated spring washer B4 DIN 137	4
1.9	5013991	Self tapping screw ZM4x12	4
1.10	5010711	Circlip ring 11/1	1
1.11	5010291	Pin M4x12 DIN 1474	1
1.12	5010591	O-Ring 22x2,5	1
1.13	5015101	PT-Screw 50x50	4
1.14	5010081	Ball bearing 6001 2Z	1
1.15	5010731	Gearbox bearing plate	1
1.16	5010741	Gear box case	1
1.17	5010541	Intermedium wheel 34 teeth	1
1.18	5010421	Shaft with 2 pinions 19/11 teeth	1
1.19	5010521	Gear change complete	1
1.20	5010761	Clutch complete	1
1.21	5010611	Ball bearing 6203 2RS	1
1.22	5010551	Spindle	1
1.23	5015111	Gear box gasket	1
1.24	5010771	Shaft seal for grease chamber	1
1.25	5010601	Ball bearing 6904 2RS	1
1.26	5010621	Spindle wheel 45 teeth	1
1.27	5010751	Spring A5x5x12 DIN 6885	1
1.28	5010531	Washer 15x22x0,2 DIN 988	1
1.29	5010721	Circlip ring 15/1 DIN 471	1
1.30	5010411	Shaft for gear wheel 13 teeth	1
1.31	5010632	Gear wheel assembly 34/40 teeth	1
1.32	5010501	Spring A5x5x28 DIN 6885	1
1.33	5010351	Needle bearing HK 0810 DIN 625	3
1.34	5010641	Air conducting ring	1
1.35	5010031	Screw HC 3,9 x 60 DIN 7981	2
1.36.1	5012741	Field coil 110 V	1
1.36.2	5010671	Field coil 230V	1
1.37	5010701	Motor housing complete	1
1.38	5010071	Ball bearing 608	1

MAB 450



Pos. No.	Article no.	Description	pc.
2.1.1	6010001	Housing 4 holes	1
2.1.2	6010002	Housing 3 holes with groove	1
2.1.3	6010003	Housing 3 holes for 6 adjusting screws	1
2.1.4	6010004	Housing for guide rails both sides glued 3 holes for 4 adjusting screws	1
2.2	6010011	Hexagon socket cylinder head screw M6x16 DIN 912	5
2.3.1	6010201	Adjustment rail right length: 249mm	1
2.3.2	6010202	Adjustment rail right length: 259mm	1
2.3.3	6010203	Adjustment rail right 6 holes length: 259mm	1
2.3.4	6010204	Adjustment rail right 4 holes length: 249mm	1
2.4.1	6010050	Magnetic (electric) without indicator universal	1
2.4.2	6010051	Magnet (electric) without indicator 4 holes	1
2.4.3	6010052	Magnet (electric) without indicator 3 holes	1
2.4.4	6010053	Magnet (electric) with indicator 3 holes until the end of 2001	1
2.4.5	6010054	Magnet (electric) with indicator since beginning of 2002	1
2.5	6010351	Dovetail carriage, asymmetrical, length:281mm, width: 80mm	1
2.6	6010091	Hexagon socket screw M6x20 DIN 912	4
2.7	6010361	Gear box support bracket	1
2.8	6010401	Chipboard screw 5 x 35 black chromated	4
2.9	6010081	Rack	1
2.10	6010021	Spring washer 6,1 DIN 7980	5
2.11	6010391	Cover for motor connector	1
2.12	6015621	Holder for magnet without screws for cutting oil tank ZKK 100	1
2.13	6011491	Hexagon socket cylinder head screw M5x12 DIN 912	2
2.14	6013171	Hexagon socket cylinder head screw M6x35 DIN 912	1
2.15	6010211	Shaft for gear wheel	1
2.16	6010221	Washer for gear wheel 10,5x35x1,5	1
2.17	6010231	Screw M6x16 ISO 7047	1
2.18	6010242	Handle rod with knob	3
2.19	6010041	Adjusting screw for dovetail carriage M5x16 DIN 913	4
2.20	6010031	Nut M5 DIN 934	4
2.21	6010341	Motor support bracket	1
2.22	3020005	Slide bearing 28x32x12	2
2.23.1	6010191	Guide rail (1 set right/left) with fixing hole	1
2.23.2	6010192	Guide rail (1 set right/left) with groove L:249 mm	1
2.23.3	6010193	Guide rail (1 set right/left) with groove L:259 mm	1
2.23.4	6010194	Guide rail (1 set right/left) to be glued	1
2.24	7010021	Gland PG 9	2
2.25.1.1	7010052	Connection cable 110 V with GB-plug	1
2.25.2.1	7010242	Connection cable 110V with US-plug	1
2.25.1.2	7010042	Connection cable 230V complete with plug	1
2.26	7010001	Cable protection tube 440mm	1
2.27	7010031	Mains cable gland PG 11	1
2.28	7010061	Earthing complete	1
2.29	6012171	Indicator with cable	1
2.30	7010081	Screw M4x8 DIN 966	8
2.31	7011831	Cover of housing, back side	1
2.32	7010111	Actuator	1
2.33.1.1	7010162	Control board with 3 Relais 110 V without cutoff until 10/04	1

<b>Pos. No.</b>	<b>Article no.</b>	<b>Description</b>	<b>pc.</b>
2.33.2.1	7010163	Control board with 3 Relais 110 V with cutoff since 10/04	1
2.33.1.2	7010152	Control board with 3 Relais 230 V without cutoff until 10/04	1
2.33.2.2	7010153	Control board with 3 Relais 230 V with cutoff since 10/04	1
2.34	7010121	Fuse holder	1
2.35	7010131	Fuse 2A, 5x20	1
2.36	7010142	Magnet switch, 4 connection terminals	1
2.37	7010412	Switch plate for indicator since 01/2002	1
2.38	7010101	LED display for indicator red/green incl. cable and frame	1
2.39.1	7010442	Switch plate complete with PC board 3 relais 110 V	1
2.39.2	7010432	Switch plate complete with PC board 3 relais 230 V	1
2.40	4010291	Cord grip for connection cable	1
2.41.1	5004511	Motor complete 110V	1
2.41.2	5004501	Motor complete 230V	1
2.42	ZKK 101	Coolant reservoir with tap	1
2.43	ZSS 200S	Coolant tube blue, short 260mm	1
2.44	ZSS 200K	Quick change coupling	1